

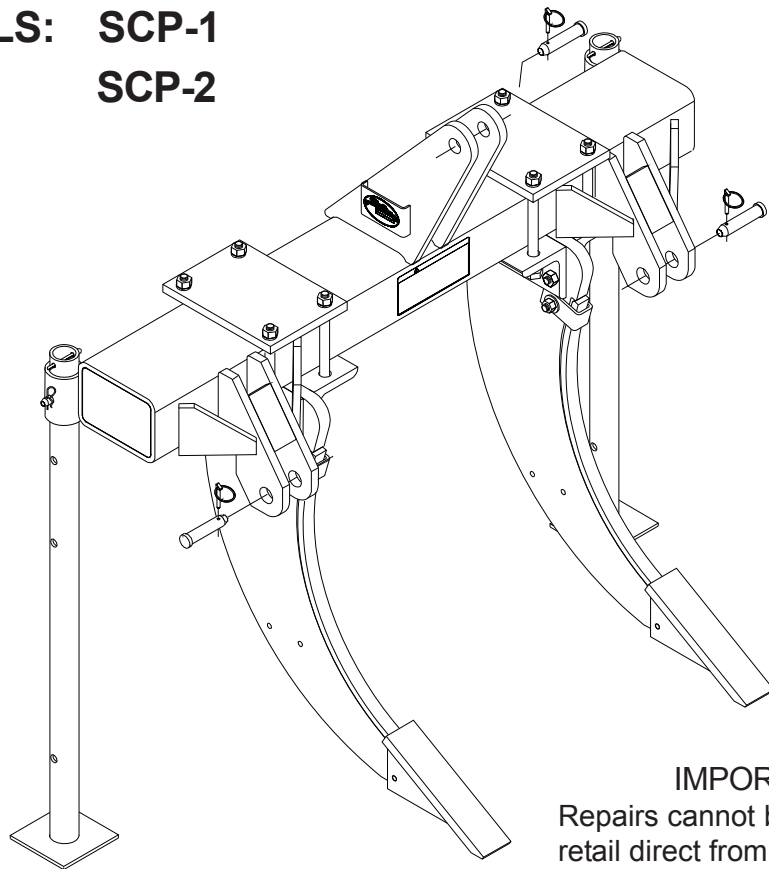
OPERATOR'S MANUAL REPAIR PARTS CATALOG



Subsoil Chisel Plow

with ONE & TWO SHANKS

MODELS: SCP-1
SCP-2



IMPORTANT!

Repairs cannot be purchased
retail direct from factory.
Order through your Brillion dealer.

1298rev2-10-04

BRILLION FARM EQUIPMENT
BRILLION, WISCONSIN 54110
www.brillionfarmeq.com

6K007

SUBSOIL CHISEL PLOW SCP-1 & SCP-2

CONTENTS

| | |
|------------------------------|----------|
| Introduction | 3 |
| Location Reference | 3 |
| Parts Ordering | 3 |
| Safety Suggestions | 4 |
| Safety Signs | 4 |
| Safety Sign Location | 5 |
| Set-Up Instructions | 6 |
| Shank Assembly | 6 |
| Support Stands | 7 |
| Machine Specifications | 7 |
| Repair Parts | 8 |
| 1-Shank Frame Assembly | 8 |
| 2-Shank Frame Assembly | 10 |
| Shank Assembly | 12 |
| Index | 14 |

Introduction

Your Brillion Sub-soil Chisel Plow is built with the best materials and workmanship available. It has been designed to give years of trouble-free operation. Proper care and operation will insure that you receive the service and long life built into this machine.

Study this manual carefully before attempting to operate the machine. If items in the manual are not understood, contact your local Brillion dealer.



This **safety alert symbol** is used to call your attention to **instructions concerning your personal safety**. It is found on your machine and in this manual. It is important to pay attention the the precautions indicated and to **be alert to the possibility of personal injury or death**.

Federal law requires you to explain the safety and operating instructions furnished with this machine to all employees before they are allowed to operate the machine. These instructions must be repeated to the employees at the beginning of each season. **Be sure to observe and follow these instructions for your own and your employee's safety.**

Location Reference

Right hand, left hand, and forward designations are determined by standing behind the machine and facing the direction it will travel during field operation.

Parts Ordering

When ordering parts for this machine, include the complete model number and serial number. Refer to the nameplate located on the right side of the center frame plates. Please read and record this number upon taking delivery of this machine. See Figure 1.

Machine Model No. _____

Serial Number _____

Date Purchased _____

Be sure to read the Warranty Card which is provided. Return the proper portion of the Warranty Card for recording at the factory.

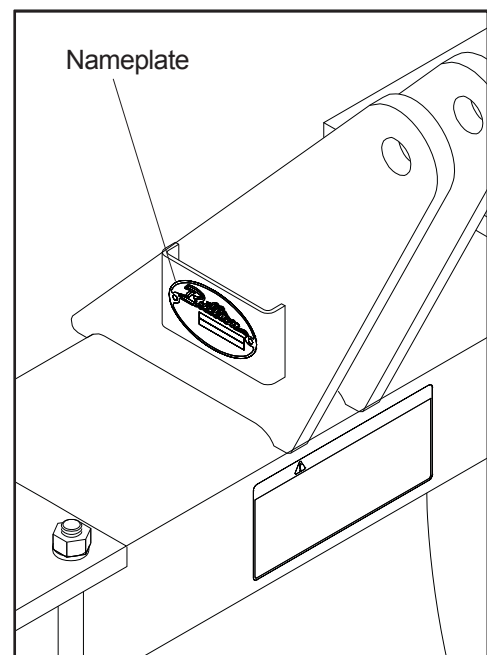


Figure 1



SAFETY SUGGESTIONS

Investigation has shown that nearly one-third of all farm accidents are caused by careless use of machinery. You can do your part in improving safety by observing the following suggestions. Insist that all people working with you or for you abide by them.

1. Never turn corners at a high rate of speed.
2. Never work under the chisel plow unless it is securely blocked up and cannot be knocked off the blocks.
3. Always take care in raising and lowering the chisel plow, and be certain that no one is in the way.
4. Never allow passengers to ride on the chisel plow.
5. Display the Slow Moving Vehicle emblem when traveling on roads.
6. When traveling on the road at night, make sure that reflective decals and accessory warning lights are mounted and visible on the machine. Local regulations should be checked first, and if there are none, the chisel plow owner should take the initiative to make his machine noticeable at night.



SAFETY WARNING SIGNS

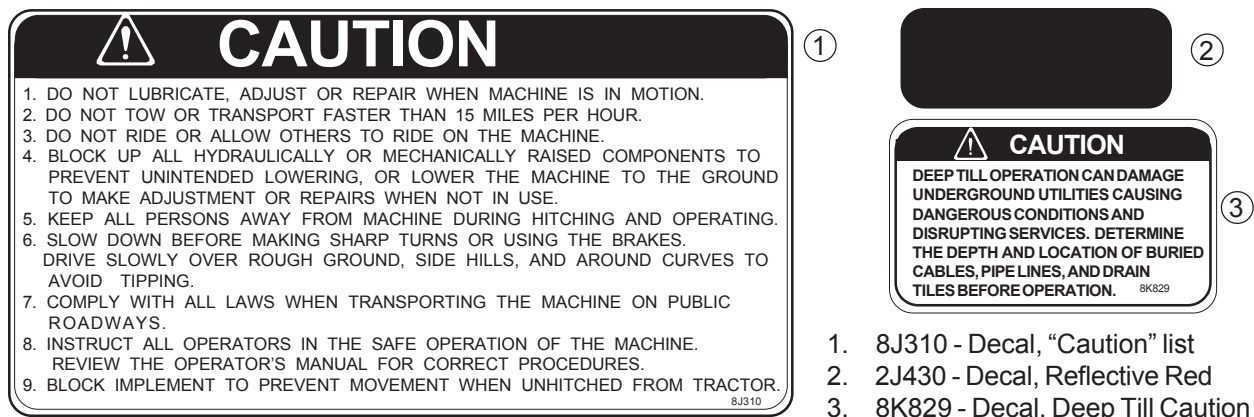
The "WARNING" signs illustrated on this page are placed on the machine to warn of hazards. The warnings found on the sign are for your personal safety and those around you. Their locations on the machine are shown on the following page. **OBSERVE THESE WARNINGS!**

Keep these signs clean so they can be observed readily. Wash with soap and water or cleaning solution as required.

Replace "WARNING" signs should they become damaged, painted over or if they are missing.

When replacing decals, clean the machine surface thoroughly using soap and water or cleaning solution to remove all dirt and grease.

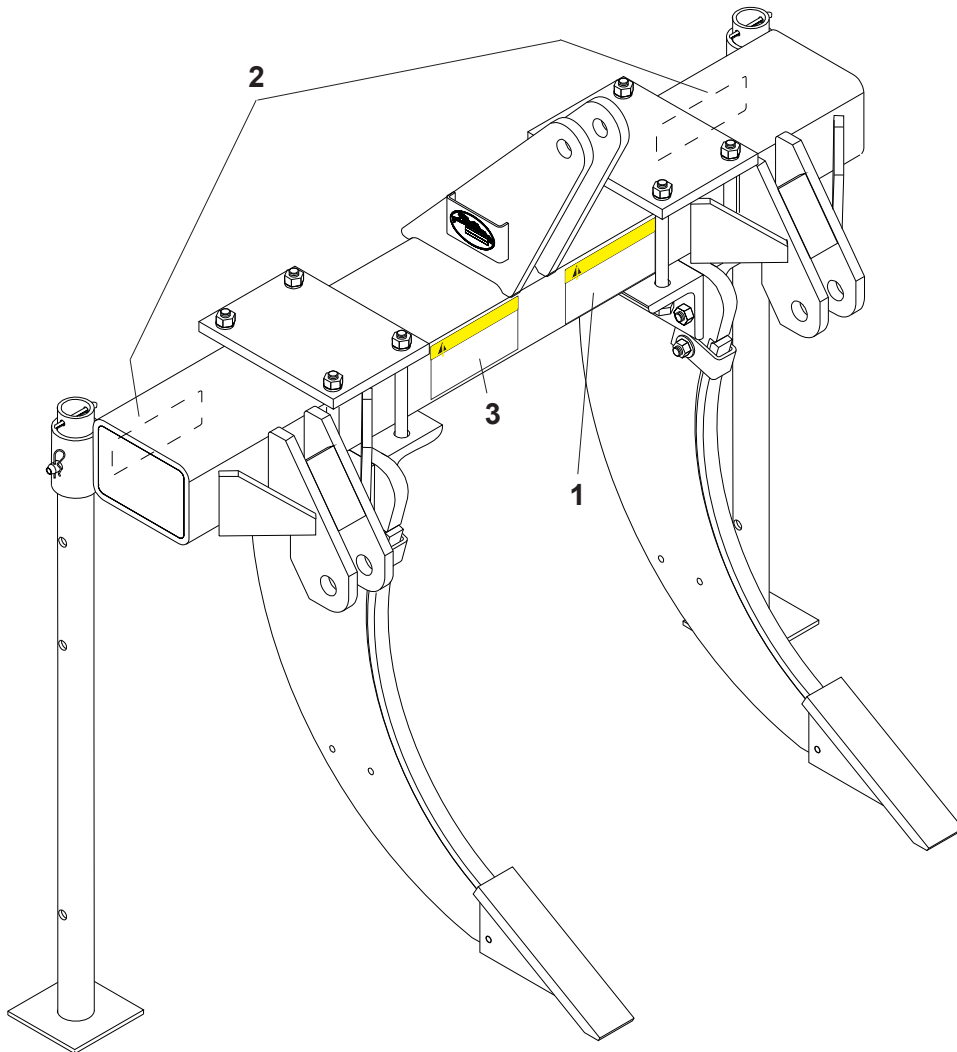
Figure 2A



DECAL LOCATIONS

1. 8J310 - Decal, "Caution" list
2. 2J430 - Decal, Reflective Red

Figure 2B



SET-UP INSTRUCTIONS

Your Brillion Subsoil Chisel Plow is shipped to you in separate assemblies. Before assembling the unit, separate the various bundles and open the box assembly, taking care not to lose any of the parts or hardware. (Refer to repair parts section for relative location of parts.)

Block up the frame or mount it to the three point hitch on the tractor for the assembly of shanks.



Securely block machine when working on or under it to prevent injury in case of hydraulic failure or inadvertent lowering by another person.

Assemble the shank(s), as shown in Figure 3

1. Assemble the angles to the frame. Right- and Lefthand angles are held to the underside of the frame tube with a plate above it and fastened with $3/4" \times 7 1/2"$ bolts, lockwashers, and nuts.

(The illustration shows a double-shank model.
In the single-shank model, the angles are welded in place).

2. Assemble the shank between the mounting angles and install the bolts through the angles, shanks and locknuts as shown, with two $5/8" \times 3 3/4"$ long bolts at the front and a $3/4" \times 3 1/2"$ bolt at the rear.

TIGHTEN THESE BOLTS UNTIL THE ANGLES ARE JUST SNUG AGAINST THE SHANK. THE BOLTS SHOULD BE EASILY TURNED WITH A WRENCH ON THE BOLT HEAD WHEN CORRECTLY TIGHTENED. OVER TIGHTENING THESE BOLTS WILL NOT ALLOW THE SHANK TO PIVOT AND SHEAR THE FRONT BOLT IF AN OBSTRUCTION IS HIT.

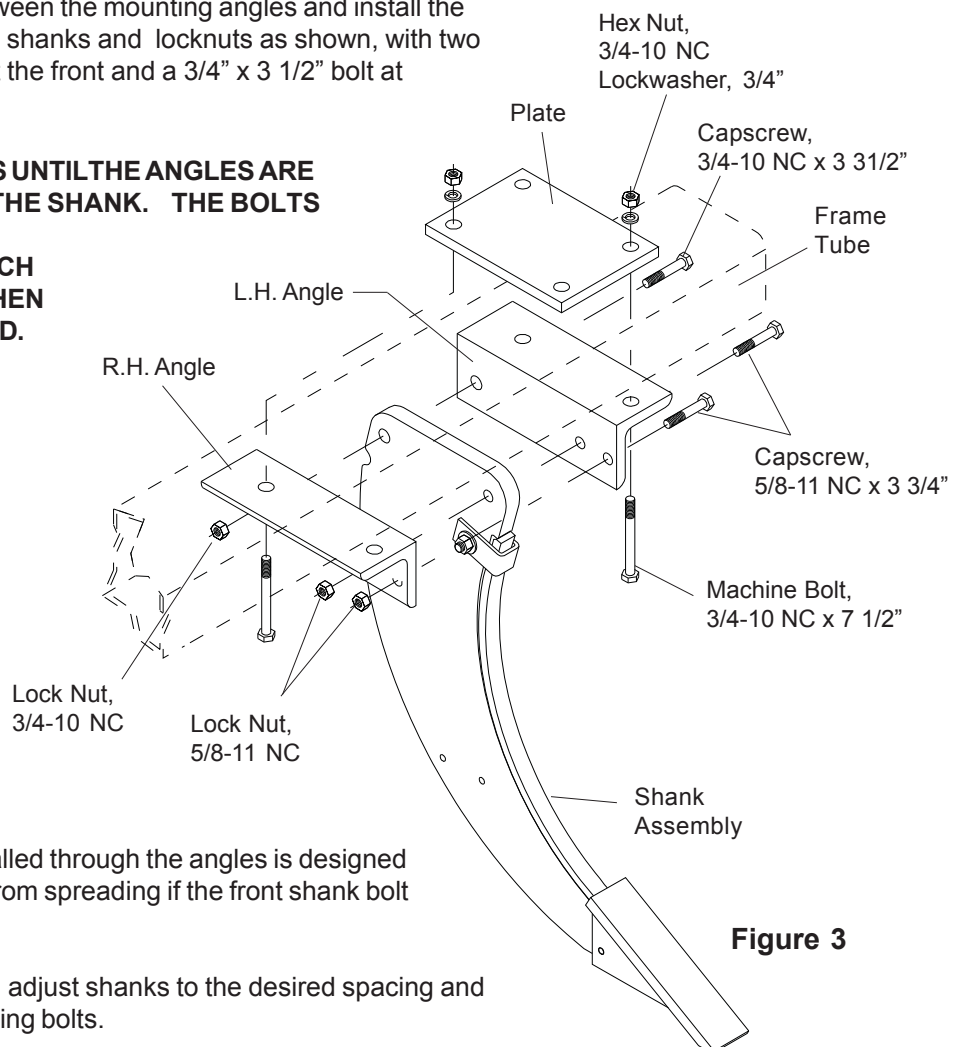


Figure 3

The front bolt that is installed through the angles is designed only to keep the angles from spreading if the front shank bolt shears.

3. On the two shank model, adjust shanks to the desired spacing and tighten the vertical clamping bolts.

SUPPORT STANDS

Assemble the support stands through the vertical tubes on the ends of the frame. Insert the 1/4 x 2 1/4" long cotter pins in the top holes of the support stands to prevent them from falling out when the machine is raised. When the machine is idle and not mounted to the tractor, the 1/2 x 3" long clevis pins, inserted in the middle holes, will prevent the unit from tipping. Then when you raise the machine for working or for transport, remove the clevis pins, raise the support stands all the way up and insert pins in the lowest hole. This will keep the support stand up and out of the way while the machine is in use.

MAINTENANCE

After the first 5 or 6 hours of operation, go over the machine and tighten all nuts with lockwashers which might be loose.

Check shank bolts daily. -Refer to set up instructions for correct tightness.

Normal periodic checks should be made thereafter.

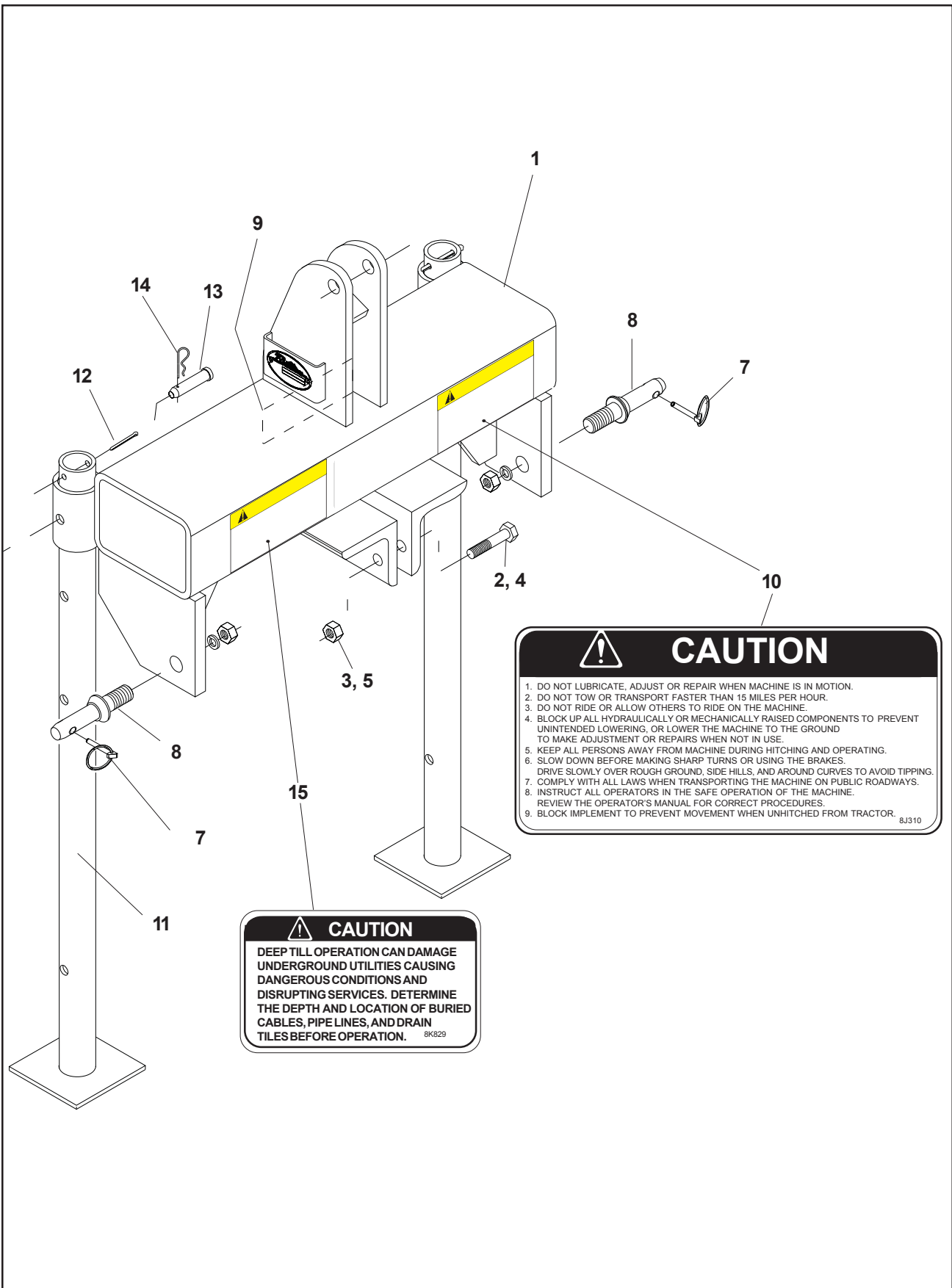
MACHINE SPECIFICATIONS

Shanks: 1" thick, high strength ductile iron

Overall Width: 1-Shank Machine = 29"
 2-Shank Machine = 50 1/2"

Working Depth: 0 to 16"

Hitch: Pins provided are designed to work with Category II three-point hitch on 2-Shank Machine and Category I Three-Point Hitch on 1-Shank Machine.



CAUTION

1. DO NOT LUBRICATE, ADJUST OR REPAIR WHEN MACHINE IS IN MOTION.
2. DO NOT TOW OR TRANSPORT FASTER THAN 15 MILES PER HOUR.
3. DO NOT RIDE OR ALLOW OTHERS TO RIDE ON THE MACHINE.
4. BLOCK UP ALL HYDRAULICALLY OR MECHANICALLY RAISED COMPONENTS TO PREVENT UNINTENDED LOWERING, OR LOWER THE MACHINE TO THE GROUND TO MAKE ADJUSTMENT OR REPAIRS WHEN NOT IN USE.
5. KEEP ALL PERSONS AWAY FROM MACHINE DURING HITCHING AND OPERATING.
6. SLOW DOWN BEFORE MAKING SHARP TURNS OR USING THE BRAKES. DRIVE SLOWLY OVER ROUGH GROUND, SIDE HILLS, AND AROUND CURVES TO AVOID TIPPING.
7. COMPLY WITH ALL LAWS WHEN TRANSPORTING THE MACHINE ON PUBLIC ROADWAYS.
8. INSTRUCT ALL OPERATORS IN THE SAFE OPERATION OF THE MACHINE. REVIEW THE OPERATOR'S MANUAL FOR CORRECT PROCEDURES.
9. BLOCK IMPLEMENT TO PREVENT MOVEMENT WHEN UNHITCHED FROM TRACTOR.

8J310

CAUTION

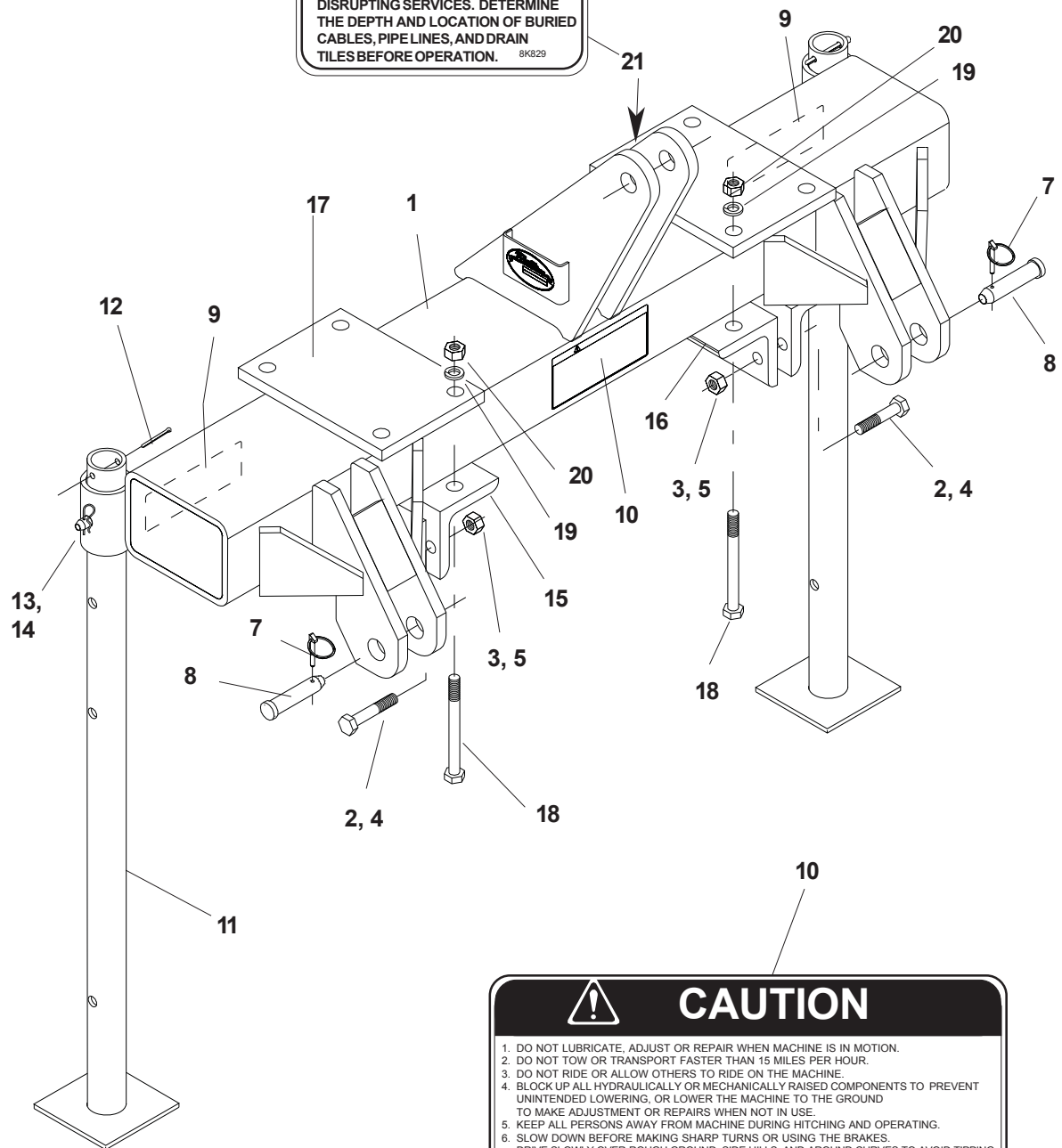
DEEP TILL OPERATION CAN DAMAGE UNDERGROUND UTILITIES CAUSING DANGEROUS CONDITIONS AND DISRUPTING SERVICES. DETERMINE THE DEPTH AND LOCATION OF BURIED CABLES, PIPE LINES, AND DRAIN TILES BEFORE OPERATION.

8K829

"1"-SHANK FRAME ASSEMBLY

| Index No. | Part No. | Description | No. Req'd | Weight |
|-----------|----------|--|-----------|--------|
| - | 6K009 | "1"-Shank Frame Assembly, complete (w/out shank) | 1 | 227.0 |
| 1 | 5K990 | "1"-Shank Frame | 1 | 125.0 |
| 2 | 6D758 | Bolt, 3/4-10 NC x 3 1/2" Long Gr. 5 | 1 | .5 |
| 3 | 6C729 | Locknut, 3/4-10 NC | 1 | .1 |
| 4 | 8D423 | Bolt, 5/8-11 NC x 3 3/4" Long Gr. 5 | 2 | .8 |
| 5 | 5C461 | Locknut, 5/8-11 NC | 2 | .1 |
| 6 | --- | ----- | - | - |
| 7 | 1J722 | Klik-Pin, 7/16" | 1 | .2 |
| 8 | 6K010 | Hitch Pin w/ Nut | 2 | 1.12 |
| 9 | 2J430 | Decal, Reflective Red | 1 | - |
| 10 | 8J310 | Decal, Caution List | 1 | - |
| 11 | 9D047 | Support Stand | 2 | 9.4 |
| 12 | 6D049 | Cotter Pin, 1/4" dia. x 2 1/2" Long | 2 | - |
| 13 | 3C335 | Clevis Pin, 1/2" dia. x 3" Long | 2 | .1 |
| 14 | 6C400 | Hairpin Cotter | 2 | - |
| 15 | 8K829 | Decal, Deep Till Caution | 1 | - |

CAUTION
 DEEP TILL OPERATION CAN DAMAGE UNDERGROUND UTILITIES CAUSING DANGEROUS CONDITIONS AND DISRUPTING SERVICES. DETERMINE THE DEPTH AND LOCATION OF BURIED CABLES, PIPE LINES, AND DRAIN TILES BEFORE OPERATION. 8K829

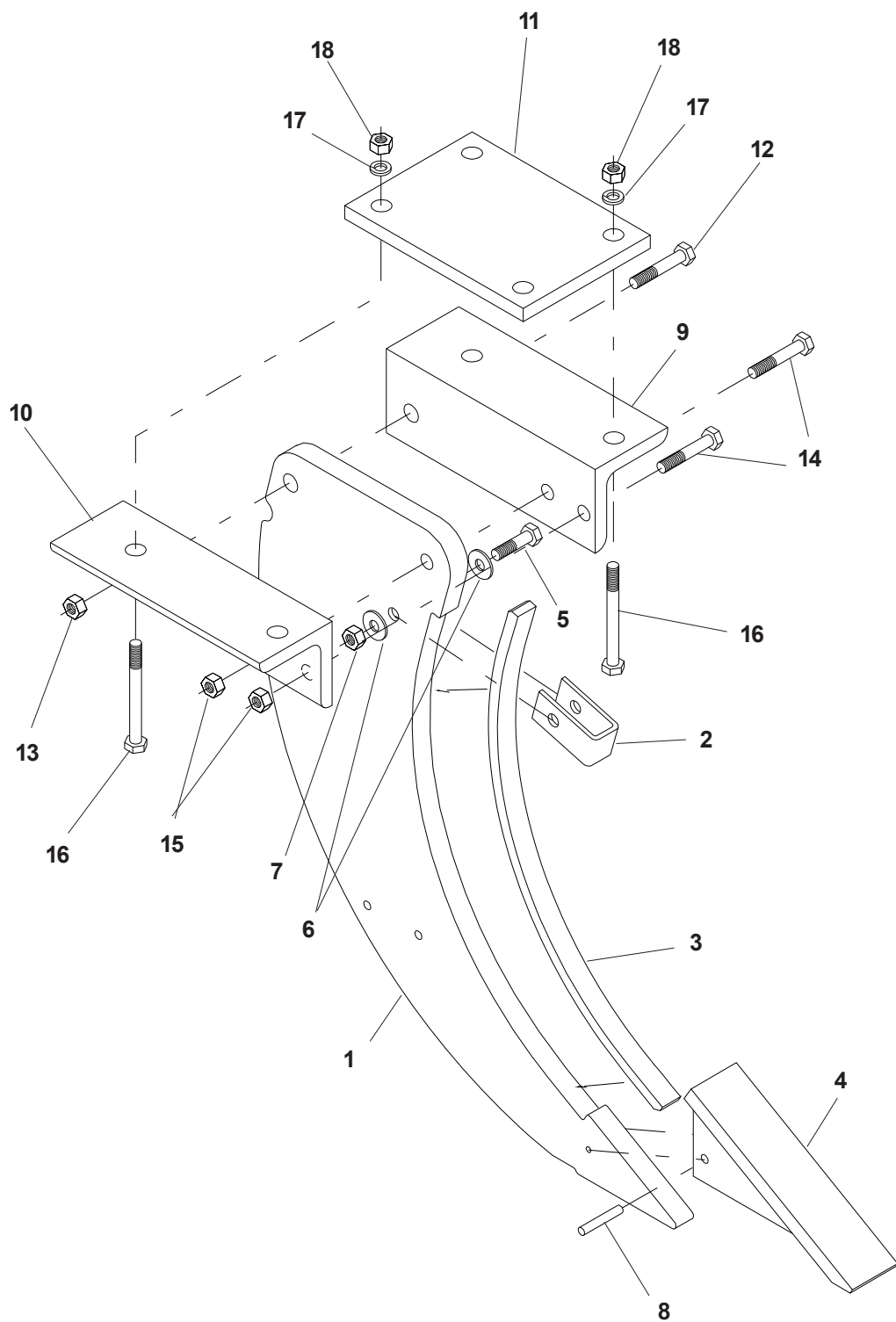


CAUTION

1. DO NOT LUBRICATE, ADJUST OR REPAIR WHEN MACHINE IS IN MOTION.
2. DO NOT TOW OR TRANSPORT FASTER THAN 15 MILES PER HOUR.
3. DO NOT RIDE OR ALLOW OTHERS TO RIDE ON THE MACHINE.
4. BLOCK UP ALL HYDRAULICALLY OR MECHANICALLY RAISED COMPONENTS TO PREVENT UNINTENDED LOWERING, OR LOWER THE MACHINE TO THE GROUND TO MAKE ADJUSTMENT OR REPAIRS WHEN NOT IN USE.
5. KEEP ALL PERSONS AWAY FROM MACHINE DURING HITCHING AND OPERATING.
6. SLOW DOWN BEFORE MAKING SHARP TURNS OR USING THE BRAKES. DRIVE SLOWLY OVER ROUGH GROUND, SIDE HILLS, AND AROUND CURVES TO AVOID TIPPING.
7. COMPLY WITH ALL LAWS WHEN TRANSPORTING THE MACHINE ON PUBLIC ROADWAYS.
8. INSTRUCT ALL OPERATORS IN THE SAFE OPERATION OF THE MACHINE.
9. BLOCK IMPLEMENT TO PREVENT MOVEMENT WHEN UNHITCHED FROM TRACTOR. 8J310

"2"-SHANK FRAME ASSEMBLY

| Index No. | Part No. | Description | No. Req'd | Weight |
|-----------|----------|---|-----------|--------|
| - | 6K006 | "2" -Shank Frame Assembly, complete (w/out shank) | 1 | 270.0 |
| 1 | 5K997 | "2" -Shank Frame | 1 | 172.0 |
| 2 | 6D758 | Bolt, 3/4-10 NC x 3 1/2" Long Gr. 5 | 2 | .5 |
| 3 | 6C729 | Locknut, 3/4-10 NC | 2 | .1 |
| 4 | 8D423 | Bolt, 5/8-11 NC x 3 3/4" Long Gr. 5 | 4 | .8 |
| 5 | 5C461 | Locknut, 5/8-11 NC | 4 | .1 |
| 6 | --- | ----- | - | 1.0 |
| 7 | 5D110 | Klik-Pin, 1/4" | 1 | .2 |
| 8 | 5D156 | Clevis Pin, 1 1/8" | 2 | 1.46 |
| 9 | 2J430 | Decal, Reflective Red | 1 | - |
| 10 | 8J310 | Decal, Caution List | 1 | - |
| 11 | 9D047 | Support Stand | 2 | 9.4 |
| 12 | 6D049 | Cotter Pin, 1/4" dia. x 2 1/2" Long | 2 | - |
| 13 | 3C335 | Clevis Pin, 1/2" dia. x 3" Long | 2 | .1 |
| 14 | 6C400 | Hairpin Cotter | 2 | - |
| 15 | 6K003 | L.H. Angle | 2 | 14.5 |
| 16 | 6K004 | R.H. Angle | 1 | 14.5 |
| 17 | 6K005 | Plate | 2 | 11.8 |
| 18 | 8D042 | Machine Bolt, 3/4-10 NC x 7 1/2" | 8 | .5 |
| 19 | 1C211 | Lockwasher, 3/4" | 8 | - |
| 20 | 1C210 | Hex Nut, 3/4-10 NC | 8 | .1 |
| 21 | 8K829 | Decal, Deep Till Caution | 1 | - |



SHANK ASSEMBLY

| Index No. | Part No. | Description | No. Req'd | | Weight |
|-----------|----------|--|-----------|-----|--------|
| | | | SNGL | DBL | |
| - | 1J480 | Shank Assembly, complete (Incl. Items 1-8) | 1 | 2 | 79.0 |
| 1 | 1J479 | Shank only | 1 | 2 | 69.0 |
| 2 | 1J484 | Clamp | 1 | 2 | .5 |
| 3 | 1J485 | Wearstrip | 1 | 2 | 3.4 |
| 4 | 1J481 | Point | 1 | 2 | 6.0 |
| 5 | 1J486 | Capscrew, 1/2-13 NC x 2 1/4" Long Gr. 5 | 1 | 2 | .2 |
| 6 | 1C120 | Flat Washer, 1/2" | 2 | 4 | - |
| 7 | 5C392 | Lock Nut, 1/2-13 NC | 1 | 2 | - |
| 8 | 1C659 | Roll Pin, 1/4" x 1 1/2" Long | 1 | 2 | - |
| 9 | 6K003 | L. H. Angle | - | 2 | 14.5 |
| 10 | 6K004 | R. H Angle | - | 2 | 14.5 |
| 11 | 6K005 | Plate | - | 2 | 11.8 |
| 12 | 6D758 | Bolt, 3/4-10 NC x 3 1/2" Long Gr. 5 | 2 | 4 | .5 |
| 13 | 6C729 | Locknut, 3/4-10 NC | 2 | 4 | .1 |
| 14 | 8D423 | Bolt, 5/8-11 NC x 3 3/4" Long Gr. 5 | 4 | 8 | .8 |
| 15 | 5C461 | Locknut, 5/8-11 NC | 4 | 8 | .1 |
| 16 | 8D042 | Machine Bolt, 3/4-10 NC x 7 1/2" | - | 8 | .5 |
| 17 | 1C211 | Lockwasher, 3/4" | - | 8 | - |
| 18 | 1C210 | Hex Nut, 3/4-10 NC | - | 8 | .1 |

INDEX

| Part No. | Index No. | Page No. | Part No. | Index No. | Page No. | Part No. | Index No. | Page No. |
|----------|-----------|----------|----------|-----------|----------|----------|-----------|----------|
| C | | | K | | | | | |
| 1C120 | 6 | 13 | 5K990 | 1 | 9 | | | |
| 1C210 | 20 | 11 | 5K997 | 1 | 11 | | | |
| | 18 | 13 | 6K003 | 15 | 11 | | | |
| 1C211 | 19 | 11 | 6K003 | 9 | 13 | | | |
| | 17 | 13 | 6K004 | 16 | 11 | | | |
| 1C659 | 8 | 13 | 6K004 | 10 | 13 | | | |
| 3C335 | 13 | 11 | 6K005 | 11 | 13 | | | |
| | 13 | 9 | 6K006 | - | 11 | | | |
| 5C077 | 6 | 9 | 6K009 | - | 9 | | | |
| 5C392 | 7 | 13 | 6K010 | 8 | 9 | | | |
| 5C461 | 5 | 11 | 6K005 | 17 | 13 | | | |
| | 15 | 13 | 8K829 | 15 | 11 | | | |
| 6C400 | 14 | 11 | 8K829 | 21 | 13 | | | |
| 6C400 | 14 | 9 | | | | | | |
| 6C729 | 3 | 11 | | | | | | |
| 6C729 | 13 | 13 | | | | | | |
| 6C729 | 3 | 9 | | | | | | |
| D | | | | | | | | |
| 5D110 | 7 | 11 | | | | | | |
| | 7 | 9 | | | | | | |
| 5D156 | 8 | 11 | | | | | | |
| 6D049 | 12 | 11 | | | | | | |
| 6D049 | 12 | 9 | | | | | | |
| 6D529 | 6 | 11 | | | | | | |
| 6D758 | 2 | 11 | | | | | | |
| 6D758 | 12 | 13 | | | | | | |
| 6D758 | 2 | 9 | | | | | | |
| 8D042 | 18 | 11 | | | | | | |
| 8D042 | 16 | 13 | | | | | | |
| 8D423 | 4 | 11 | | | | | | |
| 8D423 | 14 | 13 | | | | | | |
| 8D423 | 4 | 9 | | | | | | |
| 9D047 | 11 | 11 | | | | | | |
| 9D047 | 11 | 9 | | | | | | |
| J | | | | | | | | |
| 1J479 | 1 | 13 | | | | | | |
| 1J480 | - | 13 | | | | | | |
| 1J481 | 4 | 13 | | | | | | |
| 1J484 | 2 | 13 | | | | | | |
| 1J485 | 3 | 13 | | | | | | |
| 1J486 | 5 | 13 | | | | | | |
| 2J430 | 9 | 11 | | | | | | |
| | 9 | 9 | | | | | | |
| | 5 | 9 | | | | | | |
| 8J310 | 10 | 11 | | | | | | |
| 8J310 | 10 | 9 | | | | | | |



Intertek

Equipment from Landoll Corporation is built to exacting standards ensured by ISO 9001 registration at all Landoll manufacturing facilities.

Subsoil Chisel Plow SCP-1 and SCP-2 Models Operator's/Parts Manual

Re-Order Part Number 6K007

LANDOLL CORPORATION

1900 North Street

Marysville, Kansas 66508

(785) 562-5381

800-428-5655 ~ WWW.LANDOLL.COM



Copyright 2014. Landoll Corporation

“All rights reserved, including the right to reproduce this material or portions thereof in any form.”